

WAHL®

CURLING TONG

CURLING TONG

Please read all instructions carefully to familiarise yourself with your new Wahl Curling Tong before using.

Save these instructions for further reference.

For any further assistance or information call Customer Services on

T: 01227 740066

or visit

W: www.wahl.co.uk

E: customer.services@wahl.co.uk

CONTENTS

GENERAL USER INFORMATION	Page 3
IMPORTANT SAFEGUARDS	Page 4
OPERATING INSTRUCTIONS	Page 7
STYLING TIPS	Page 8
CARE AND CLEANING	Page 9
WIRING	Page 9
DISPOSAL	Page 10
PRODUCT REGISTRATION	Page 11
GUARANTEE	Page 11

GENERAL USER INFORMATION

Information about using the operation manual

- ▶ Before using the appliance for the first time, you must read and understand the operation manual completely.
- ▶ Consider the operation manual as part of the product and store it in a safe and accessible place.
- ▶ Include this operation manual if passing the appliance on to a third party.
- ▶ In the case of conflicts with national safety specifications or instructions, the national requirements must be followed.

Explanation of symbols and notes



DANGER

Danger of electric shock which may result in serious physical injury or death.



DANGER

Danger of explosion which may result in serious physical injury or death.



WARNING

Warning of possible physical injury or a health risk.



CAUTION

Information about danger of material damage.



Note with useful information and tips.

- ▶ Action to be taken by owner.
1. Carry out these actions in the sequence described.
- List

CURLING TONG

Please retain this leaflet for future reference.

READ ALL INSTRUCTIONS BEFORE USING.

IMPORTANT SAFEGUARDS

When using this electrical appliance, especially when children are present, basic safety precautions should always be observed including the following.

Requirements

- ▶ Read the instruction manual in full to familiarize yourself with the product before the first use.
- ▶ This appliance can be used by children from aged 8 years and above and persons with reduced physical, sensory or mental capabilities, or lack of experience and knowledge, if they have been given supervision or instruction concerning use of the appliance in a safe way and understand the hazards involved. Children shall not play with the appliance. Cleaning and user maintenance shall not be made by children without supervision.
- ▶ Keep the appliance and its cord out of reach of children less than 8 years.
- ▶ Use this appliance only for its intended purpose.
- ▶ Do not use with a voltage converter.

Hazards



Danger! Electric shock due to damage to appliance

- ▶ Do not operate the appliance with a broken cord or plug, or if the appliance malfunctions, or is dropped or damaged in anyway.
- ▶ If the supply cord is damaged, it must be replaced by the manufacturer or its service agent or a similarly qualified person in order to avoid a hazard.
- ▶ Do not let the cord hang over the edge of the work surface or let it touch any hot surfaces.



WARNING: Do not use this appliance near bathtubs, showers, basins or other vessels containing water.



Danger! Electric shock due to penetration of liquid.

- ▶ To protect against risk of electrical shock, never immerse the unit or let it come into contact with water or any other liquids. Do not use the unit with wet hands. If the appliance should become wet, damp or fall in water, remove plug from mains socket immediately. Do not put your hands in the water. Do not take into bathroom.

CURLING TONG

- ▶ The use of attachments that are not supplied by the manufacturer may cause fire, electric shock or injury and damage to the appliance.



Warning! Injuries due to incorrect handling

- ▶ Switch off the appliance and unplug from outlet when not in use, before putting on or taking off attachments and also before cleaning the appliance.
- ▶ Care should be taken to avoid contact with the skin, the face and neck.



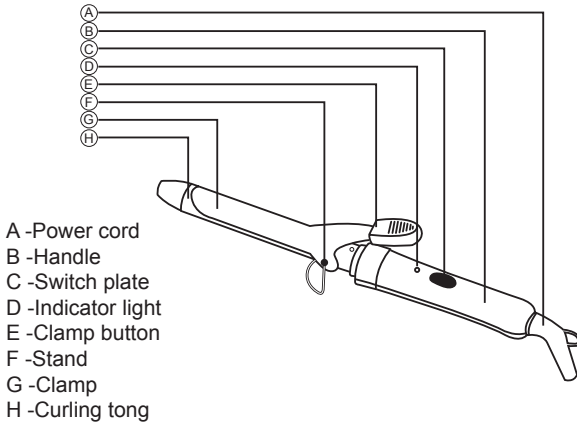
Caution! Danger of product damage

- ▶ Never use your appliance without paying attention!
- ▶ Always unplug the unit when not in use or left unattended.
- ▶ Do not wrap the cord around the appliance.
- ▶ Do not use outdoors or in damp areas.
- ▶ Never carry the unit by its power cord.
- ▶ Allow the appliance to cool before storing away.



NOTE: During the first few minutes of the initial use, you may notice smoke and a slight odour. This is normal and will quickly disappear.

CURLING TONG



OPERATING INSTRUCTIONS

BEFORE USE

Before plugging in check that the voltage matches that shown on the rating label.

- i** NOTE: We recommend the use of the Wahl Heat resistant storage pouch(ZX497) or heat mat(ZX760). These products are not included in your kit and can be bought separately from the Wahl online store (www.wahlstore.co.uk).

The fast heat technology provides styling versatility for all hair.

CURLING BASICS

1. Plug the curling tong cord into any household outlet. Push the switch plate up (ON), the indicator light will illuminate. The tong will heat up very quickly. To turn the curling tong off, push the switch plate down, the light will go off.

CURLING TONG

- Never leave your curling tong on and unattended.
2. Ensure your hair is dry and comb through before styling. Pressing the clamp button, place a section of hair between clamp and iron surface and spread hair evenly. Gently slide curling tong down to hair ends. To avoid crimped ends, make sure they are securely spread under the clamp in the direction of the desired curl.
 3. Wind the hair up as far as you want it curled, be careful and do not let the tong touch the scalp. Hold for 5-8 seconds, it depends on the texture and length of your hair. If you want to have much tighter, bouncier curls, roll less hair at a time, for loose, free-flowing curls, roll more hair every time.
 4. Press the clamp button and release it, remove the curling tong, to "set" the curl, do not comb or brush hair until its cool.

Temperature setting:

1. Please plug in the unit, push the switch, when the LED light is on, the heater will start working.
2. Push the switch back, when the LED light is OFF the heater stop working,



WARNING

The working surface will get very hot within a few seconds and should not be placed in contact with the skin after the curling tong is turned ON.

Always do a test curl before using the tong to insure the proper setting for your hair type.

STYLING TIPS

1. Always wash and condition your hair before styling.
2. Dry hair before styling.
3. For long lasting results, comb a small amount of mouse or styling product through the hair before drying and styling.
4. When sectioning off your hair for styling, you may choose to use butterfly or hair clips to make sectioning easier. This is particularly useful for thick, long hair and also when wanting to achieve maximum tight curls.
5. Use small sections of hair when styling.

CURLING TONG

6. Start at the back of the head and work forwards to the sides and front.
7. Whilst the appliance is heating never leave unattended.
8. After use unplug and allow the appliance to cool completely before cleaning and storing away.

CARE AND CLEANING



This appliance is intended for household use. Unplug product before cleaning. The product must be cleaned only when cool. Use a soft non-abrasive cloth that is slightly dampened with water to wipe styling working surface. Do not allow water or any other liquid to get into the handle of the curling tong. Any other servicing should be performed by a qualified service center. The product should not be stored while hot or plugged in. When not in use, allow curling tong to cool, then simply put back in the box and store out of reach of children in safe, dry location. Never wrap the cord around the curling tong. This could cause the cord to wear prematurely and break.

WIRING



WARNING: If the supply cord is damaged it must be replaced by the manufacturers service agent or a similarly qualified person in order to avoid a hazard.

The wires in the mains lead of this curling tong are coloured in accordance to the following code:

Blue Neutral (N) Brown Live (L)

This appliance is fitted with a 3 pin BS Approved BS1363 plug which has a 13amp fuse fitted. If the plug supplied is not suitable for your socket or becomes damaged, it should be cut off and disposed of, and a suitable plug fitted as detailed below.

As the colours of the wires in the mains lead of this curling tong may not correspond with the colour markings identifying the terminals in your plug, proceed as follows:

CURLING TONG

The wire which is coloured BLUE must be connected to the terminal in the plug which is marked with the letter 'N' or coloured BLACK or BLUE.

The wire which is coloured BROWN must be connected to the terminal in the plug which is marked with the letter 'L' or coloured RED or BROWN.

DO NOT connect either wire to the terminal in the plug which is marked with the letter E, has the Earth symbol, or coloured GREEN or GREEN AND YELLOW

DISPOSAL



Handle with care! Environmental damage in the case of incorrect disposal.

Correct disposal will ensure environmental protection and prevent any potentially harmful impacts on people and the environment.

Adhere to the relevant legal requirements when disposing of the appliance.

Information on the disposal of electrical and electronic appliances in the European Community:



Within the European Community, national regulations are specified for the disposal of electrical appliances, based on EU Waste Electrical and Electronic Equipment Directive 2002/96/EC (WEEE). In accordance with this, the appliance can no longer be disposed of with the local or domestic waste.

The appliance will be accepted free of charge by local collection points or recycling centres.

GUARANTEE

This product is guaranteed against defects in material and workmanship for a period of 1 year from the date of original purchase or receipt as a gift.

Should this product become defective during the guarantee period, return it to the store of purchase together with your proof of purchase for repair or replacement

Alternatively within the guarantee period you can return the product to Wahl (UK) Ltd who will repair any such defect or elect to replace the product or any part of it, without charge, provided that there is proof of purchase. Should a replacement be offered this will not extend the original guarantee period.

The guarantee becomes invalid in the case of misuse, alteration or repair by unauthorised persons.

This product is designed for domestic use only and use within a professional environment will invalidate the guarantee.

This guarantee in no way affects your rights under statutory law in the United Kingdom.

WAHL (UK) LIMITED
STERLING HOUSE,
CLIPPER CLOSE,
RAMSGATE, KENT
CT12 5GG.

CUSTOMER SERVICES T: 01227 740066
www.wahl.co.uk

Form No. ZB589 Rev5 07-18